



**30 YEARS  
YOUNG**  
1982.2012



Smart encoders & actuators

**Multi turn ENTRY LEVEL encoder**  
**Single turn, high accuracy**  
**Multi turn, high-end version**



#encoder #profinet #singleturn #multiturn @likaelectronic

# ROTACOD

Absolute encoders with Profinet interface

Series

EM58 • HS58 • HM58 PT



- EM58 Entry level series
- HS58 high accuracy single turn series
- HM58 high performance multi turn series
- Fast and precise optical sensing
- Optical multi turn part
- Encoder profile PNO No 3.162 V4.1
- Dynamically assigned IP address via DCP
- Stainless steel version available on request



EM58 • HS58 • HM58 PT

## ENVIRONMENTAL SPECIFICATIONS

Shock:	100 g, 6 ms
Vibrations:	10 g, 5-2000 Hz
Protection:	IP65
Operating temperature range:	-25°C +85°C (-13°F +185°F)
Storage temperature range:	-40°C +100°C (-40°F +212°F) (98% R.H.without condensation)

## MECHANICAL SPECIFICATIONS

Dimensions:	see drawing
Shaft diameter:	Ø 6, 8, 9.52, 10, 12 mm
Hollow shaft diameter:	Ø 14, 15 mm
Reducing sleeves BR1-xx from Ø 15 mm to:	Ø 6, 8, 9.52, 10, 11, 12 mm
Shaft loading (axial, radial):	40 N max.
Shaft rotational speed:	6000 rpm max.
Bearings life:	400 x 10 <sup>6</sup> rev. min. (10 <sup>9</sup> rev. min. with shaft loading of 20 N max.)
Weight:	~ 350 g (12,3 oz)

## ELECTRICAL SPECIFICATIONS

Resolution:	HS: 262144 cpr EM: 8192 cpr x 16384 turns HM: 65536 cpr x 16384 turns
Accuracy:	HS, HM: ± 0,007° - EM: ± 0,5°
Counting frequency:	150 kHz max.
Power supply:	+10V +30V
Power consumption:	1,7 W max.
Interface:	Profinet IO
Programmable parameters:	see user manual
Communication modes:	RT2, RT3 (Isochronous)
Cycle time:	≥ 1ms
Protection:	against inversion of polarity and short-circuit
EMC:	electro-magnetic immunity, according to: EN 61000-4-2 EN 61000-4-4
Optoelectronic life:	100.000 h min.

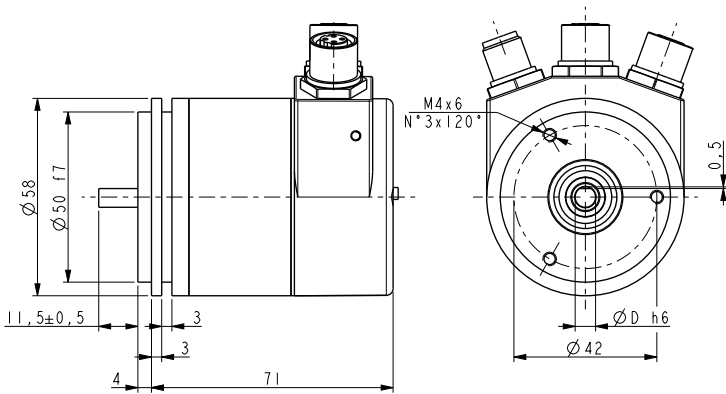
## MATERIALS

Flange:	anticorodal, UNI EN AW-6082
Housing:	anticorodal, UNI EN AW-6082
Bearings:	ABEC 5
Shaft:	stainless steel, non magnetic, UNI EN 4305
Light source:	GaAl diodes

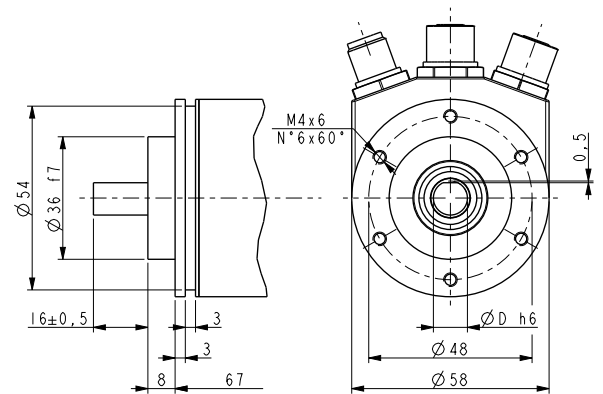


## ACCESSORIES

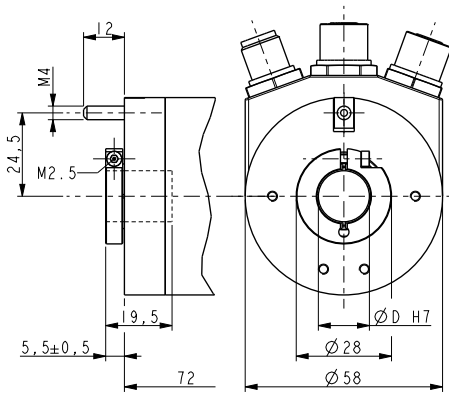
PAN/PGF:	flexible couplings
BR1:	reducing sleeves
LKM-386:	fixing clamps
EC-M12ME-EC-GN-5:	M12 cordset with 5 m cable
EC-M12ME-EC-GN-10:	M12 cordset with 10 m cable
EXC-M12ME-EC-GN-5-RJ8-EC:	M12+RJ8 cordset w/ 5 m cable
EXC-M12ME-EC-GN-10-RJ8-EC:	M12+RJ8 cordset w/ 10 m cable
EC-M12PP-LK-PBS-5:	M12 power supply cordset with 5 m cable
EC-M12PP-LK-PBS-10:	M12 power supply cordset with 10 m cable



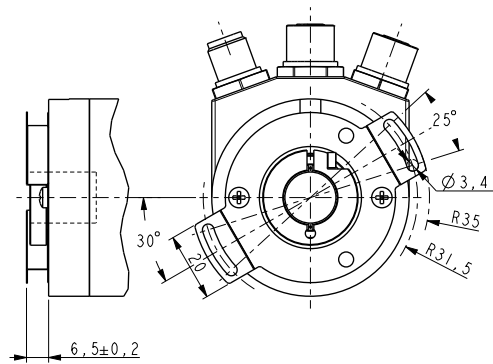
EM58 • HS58 • HM58 PT



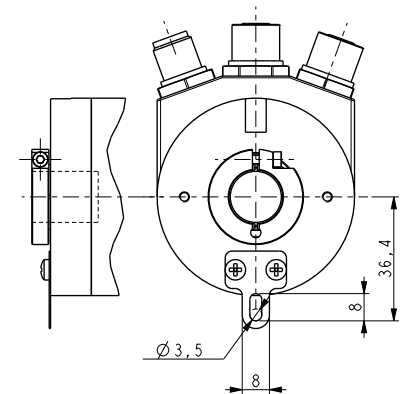
EM58S • HS58S • HM58S PT



EMC58 • HSC58 • HMC58 PT



EMC59 • HSC59 • HMC59 PT



EMC60 • HSC60 • HMC60 PT

Order code - Single turn

HS58	XX	/	PT	-	XX	/Sxxx
HS58S	(a)				(b)	(c)
HSC58						
HSC59						
HSC60						

Order code - Multi turn

HM58	EM58	XX/XXXX	PT	-	XX	/Sxxx
HM58S	EM58S	(a)			(b)	(c)
HMC58	EMC58					
HMC59	EMC59					
HMC60	EMC60					

(a) RESOLUTION  
18 = 262144 cpr

(b) SHAFT DIAMETER  
6 = 6 mm  
8 = 8 mm  
P9 = 9.52 mm, 3/8"  
10 = 10 mm  
12 = 12 mm  
14 = 14 mm (HSCxx)  
15 = 15 mm (HSCxx)

(c) CUSTOM VERSION

(a) RESOLUTION  
13/16384 = 8192 cpr x 16384 turns (EMxx)  
16/16384 = 65536 cpr x 16384 turns (HMxx)

(b) SHAFT DIAMETER  
6 = 6 mm  
8 = 8 mm  
P9 = 9.52 mm, 3/8"

10 = 10 mm  
12 = 12 mm  
14 = 14 mm (EMCxx, HMCxx)  
15 = 15 mm (EMCxx, HMCxx)

(c) CUSTOM VERSION

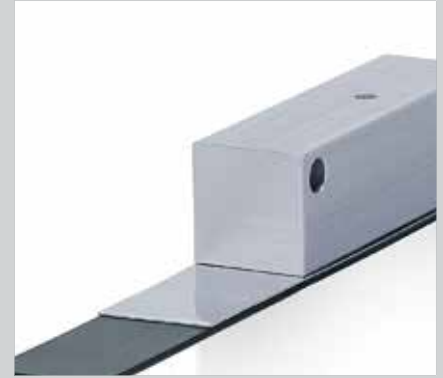
# Other products from Lika...



Rotary encoders



Rotary magnetic encoders, Modules



Linear encoders



Draw-wire encoders



Rotary actuators, quick change-over



Flexible & transmission couplings

## Visit us at:



Hall 9 • Booth G76



Hall 2 • Booth I001



Hall 1 • Booth 340

# lika

Lika Electronic Srl

Via S. Lorenzo 25  
36010 Carrè (VI) • Italy

Tel. +39 0445 806600

Fax +39 0445 806699

info@lika.it • www.lika.biz

